

PATH TO THE FUTURE

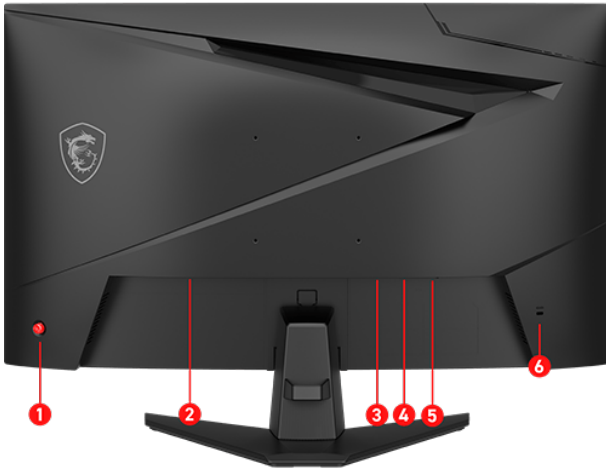
Get unmatched clarity with the MAG 275CQFE18 27-inch Gaming Monitor by MSI. Enjoy Rapid VA Panel, WQHD and 180Hz for seamless graphics and fast response. Built for serious gaming—See at MSI!



Picture and logos

SELLING POINTS

- Rapid VA Panel - Provides 0.5ms (GtG, Min.) response time, optimizes screen colors and brightness.
- 180Hz Refresh Rate - Respond faster with smoother frames.
- 0.5ms (GtG, Min.) Response Time - Eliminate screen tearing and choppy frame rates.
- AI Vision - The new AI Vision technology can not only reveal details in dark areas but also enhance overall brightness and saturate colors.
- Less Blue Light - Use a software solution to reduce the light emission in the blue-violet region of the blue light spectrum.



1. 5-Way Navigator
2. 2x HDMI™ 2.0b (WQHD@144Hz)
3. DisplayPort 1.4a (HBR3)
4. Headphone-out
5. AC-in
6. Kensington Lock

SPECIFICATION

| | | |
|-----------|---------------------------------------------|------------------------------------|
| Model | Part No | 9S6-3CE91H-006 |
| | Color | ID1/Black-Black |
| Display | Screen Size | 27" (68.58 cm) |
| | Active Display Area (mm) | 596.736(H) x 335.664(V) |
| | Curvature | Curve 1500R |
| | Panel Type | Rapid VA |
| | Resolution | 2560x1440 (WQHD) |
| | Pixel pitch (mm) | 0.2331(H)x0.2331(V) |
| | Aspect Ratio | 16:9 |
| | Dynamic Refresh Rate technology | Adaptive-Sync |
| | Dynamic Refresh Rate Activated Range | 48~180Hz |
| | HDR (High dynamic range) | HDR Ready |
| | SDR Brightness (nits) | 250 |
| | Contrast Ratio | 5000:1 |
| | DCR (Dynamic Contrast Ratio) | 10000000:1 |
| | Signal Frequency | 73.86~251.74 KHz(H) / 48~180 Hz(V) |
| | Refresh Rate | 180Hz |
| | Response Time (MPRT) | 1ms(MPRT) |
| | Response Time (GTG) | 0.5ms (Min.) |
| | View Angles | 178°(H)/178°(V) |
| | NTSC (CIE1976 area percentage/overlap) | 119%/85% |
| | NTSC (CIE1931 area percentage/overlap) | 93%/82% |
| | sRGB (CIE1976 area percentage/overlap) | 136%/99% |
| | sRGB (CIE1931 area percentage/overlap) | 130%/99% |
| | Adobe RGB (CIE1976 area percentage/overlap) | 117%/90% |
| | Adobe RGB (CIE1931 area percentage/overlap) | 97%/86% |
| | DCI-P3 (CIE1976 area percentage/overlap) | 109%/94% |
| | DCI-P3 (CIE1931 area percentage/overlap) | 96%/92% |
| | Rec.709 (CIE1976 area percentage/overlap) | 136%/99% |
| | Rec.709 (CIE1931 area percentage/overlap) | 130%/99% |
| | Rec.2020 (CIE1976 area percentage/overlap) | 79%/77% |
| | Rec.2020 (CIE1931 area percentage/overlap) | 69%/68% |
| | Surface Treatment | Anti-glare |
| | Display Colors | 1.07B |
| Color bit | 10 bits (8 bits + FRC) | |
| I/O Ports | Headphone-out | 1 |
| | Lock type | Kensington Lock |
| | HDMI | 2 |
| | HDMI version | 2.0b |
| | HDMI HDCP version | 2.3 |
| | DisplayPort | 1 |
| | DisplayPort version | 1.4a |
| | DisplayPort HDCP version | 2.3 |
| Warranty | Warranty | 36M |
| Power | Power Type | Internal Power Board |
| | Power Input | 100~240V, 50/60Hz |
| | On-mode Power Consumption (KWh/1000h) | 26 |
| | Annual Energy Consumption (KWh) | 26 |
| | Standby-mode Power Consumption (W) | 0.5 |
| | Off-mode Power Consumption (W) | 0.3 |
| | Energy Efficiency Rating | TBD |
| | Power Cord Type | C13 |

| | | |
|------------------------------|----------------------------------------------|-----------------------|
| In The Box | DisplayPort Cable | 1 |
| | HDMI Cable | 0 |
| | DVI Cable | 0 |
| | USB Type A to Type B Cable | 0 |
| | USB Type C to Type A Cable | 0 |
| | USB Type C to Type C Cable | 0 |
| | Thunderbolt Cable | 0 |
| | VGA Cable | 0 |
| | 3.5mm audio Cable | 0 |
| | 3.5mm combo audio Cable | 0 |
| | 3.5mm Mic Cable | 0 |
| | Power Cord | 1 |
| | AC Adaptor | 0 |
| | Quick Guide | 1 |
| | Warranty Card | 0 |
| Mouse Bungee Unit | 0 | |
| Design | Adjustment (Tilt) | -5° ~ 20° |
| | VESA Mounting | 100x100mm |
| Dimension & Weight (product) | Product Dimension with Stand (WxDxH) (mm) | 611.5 x 249.7 x 439.1 |
| | Product Dimension without Stand (WxDxH) (mm) | 611.5 x 101.8 x 366.1 |
| | Stand Dimension (WxDxH) (mm) | 339.8 x 249.4 x 142.5 |
| | Weight (Net kg) | N/A |
| | Weight Without Stand (kg) | N/A |
| Dimension & Weight (box) | Inside Carton Dimension (WxDxH) (cm) | 68.6 x 15.7 x 44.2 |
| | Outer Carton Dimension (WxDxH) (cm) | 70.1 x 17 x 46.6 |
| | Weight (Gross kg) | N/A |
| Barcode Info | EAN | 4711377289627 |