

### PATH TO THE FUTURE

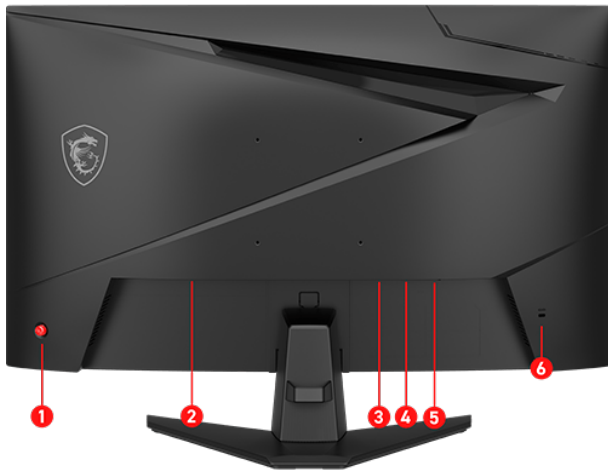
Erleben Sie unübertroffene Klarheit mit dem MAG 275CQFDE E18 27-Zoll-Gaming-Monitor von MSI. Genießen Sie Rapid VA Panel, WQHD und 180Hz für atemberaubende Visuals und schnelle Reaktion. Gebaut für ernsthaftes Gaming!



Picture and logos

### SELLING POINTS

- Rapid-VA-Panel - Bietet 0,5 ms (GtG, Min.) Reaktionszeit, optimiert Farben und Helligkeit.
- 180Hz Bildwiederholrate - Sorgt für schnellere Reaktionen und flüssigere Bilder.
- 0,5 ms (GtG, Min.) Reaktionszeit - Vermeidet Tearing und ruckelige Bildraten.
- AI Vision - Die neue AI Vision-Technologie enthüllt Details in dunklen Bereichen, verbessert die Helligkeit und sorgt für satte Farben.
- Weniger Blaulicht - Reduziert Blaulicht-Emissionen im blau-violetten Spektrum dank intelligenter Softwarelösung.



1. 5-Wege Navigation
2. 2x HDMI™ 2.0b (WQHD@144Hz)
3. DisplayPort 1.4a (HBR3)
4. Kopfhörerausgang
5. Stromanschluss
6. Kensington Lock

## SPECIFICATION

Model	Part No	9S6-3CE91H-010
	Color	ID1/Black-Black
Display	Screen Size	27" (68.58 cm)
	Active Display Area (mm)	596.736(H) x 335.664(V)
	Curvature	Curve 1500R
	Panel Type	Rapid VA
	Resolution	2560x1440 (WQHD)
	Pixel pitch (mm)	0.2331(H)x0.2331(V)
	Aspect Ratio	16:9
	Dynamic Refresh Rate technology	Adaptive-Sync
	Dynamic Refresh Rate Activated Range	48~180Hz
	HDR (High dynamic range)	HDR Ready
	SDR Brightness (nits)	250
	Contrast Ratio	5000:1
	DCR (Dynamic Contrast Ratio)	10000000:1
	Signal Frequency	73.86~251.74 KHz(H) / 48~180 Hz(V)
	Refresh Rate	180Hz
	Response Time (MPRT)	1ms(MPRT)
	Response Time (GTG)	0.5ms (Min.)
	View Angles	178°(H)/178°(V)
	NTSC (CIE1976 area percentage/overlap)	119%/85%
	NTSC (CIE1931 area percentage/overlap)	93%/82%
	sRGB (CIE1976 area percentage/overlap)	136%/99%
	sRGB (CIE1931 area percentage/overlap)	130%/99%
	Adobe RGB (CIE1976 area percentage/overlap)	117%/90%
	Adobe RGB (CIE1931 area percentage/overlap)	97%/86%
	DCI-P3 (CIE1976 area percentage/overlap)	109%/94%
	DCI-P3 (CIE1931 area percentage/overlap)	96%/92%
	Rec.709 (CIE1976 area percentage/overlap)	136%/99%
	Rec.709 (CIE1931 area percentage/overlap)	130%/99%
	Rec.2020 (CIE1976 area percentage/overlap)	79%/77%
	Rec.2020 (CIE1931 area percentage/overlap)	69%/68%
	Surface Treatment	Anti-glare
	Display Colors	1.07B
	Color bit	10 bits (8 bits + FRC)
Schnittstellen	Headphone-out	1
	Lock type	Kensington Lock
	HDMI	2
	HDMI version	2.0b
	HDMI HDCP version	2.3
	DisplayPort	1
	DisplayPort version	1.4a
	DisplayPort HDCP version	2.3
Garantie	Warranty	36M
Power	Power Type	Internal Power Board
	Power Input	100~240V, 50/60Hz
	On-mode Power Consumption (KWh/1000h)	26
	Annual Energy Consumption (KWh)	26
	Standby-mode Power Consumption (W)	0.5
	Off-mode Power Consumption (W)	0.3
	Energy Efficiency Rating	TBD
	Power Cord Type	C13

Zubehör	DisplayPort Cable	1
	HDMI Cable	0
	DVI Cable	0
	USB Type A to Type B Cable	0
	USB Type C to Type A Cable	0
	USB Type C to Type C Cable	0
	Thunderbolt Cable	0
	VGA Cable	0
	3.5mm audio Cable	0
	3.5mm combo audio Cable	0
	3.5mm Mic Cable	0
	Power Cord	1
	AC Adaptor	0
	Quick Guide	1
	Warranty Card	0
Mouse Bungee Unit	0	
Design	Adjustment (Tilt)	-5° ~ 20°
	VESA Mounting	100x100mm
Abmessungen & Gewicht (Product)	Product Dimension with Stand (WxDxH) (mm)	611.5 x 249.7 x 439.1
	Product Dimension without Stand (WxDxH) (mm)	611.5 x 101.8 x 366.1
	Stand Dimension (WxDxH) (mm)	339.8 x 249.4 x 142.5
	Weight (Net kg)	4.6
	Weight Without Stand (kg)	4.05
Abmessungen & Gewicht (Verpackung)	Inside Carton Dimension (WxDxH) (cm)	68.6 x 15.7 x 44.2
	Outer Carton Dimension (WxDxH) (cm)	70.1 x 17 x 46.6
	Weight (Gross kg)	6.85
Barcode Info	EAN	4711377289580