

PATH TO THE FUTURE

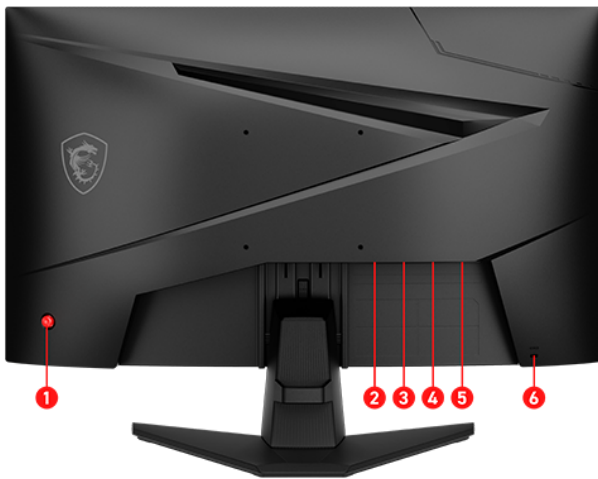
Get unmatched clarity with the MAG 244C 24-inch Gaming Monitor by MSI. Enjoy VA Panel, FHD and 180Hz for seamless graphics and fast response. Built for serious gaming—See at MSI!



Picture and logos

SELLING POINTS

- Panel VA - Memberikan waktu respons 1ms (MPRT), mengoptimalkan warna dan kecerahan layar.
- Kecepatan Refresh 180Hz - Respons lebih cepat dengan frame yang lebih halus.
- Waktu Respons 1ms (MPRT) - Hilangkan gambar robek dan frame rate tersendat.
- AI Vision - Teknologi AI Vision yang baru tidak hanya dapat mengungkap detail di area gelap tetapi juga meningkatkan kecerahan keseluruhan dan menjenuhkan warna.
- Lebih Sedikit Cahaya Biru - Gunakan solusi perangkat lunak untuk mengurangi emisi cahaya di wilayah biru-ungu pada spektrum cahaya biru.



1. OSD Button / 5-Way Navigator
2. HDMI™ 2.0b (FHD@180Hz)
3. DisplayPort 1.2a
4. Headphone-out
5. DC-in
6. Kensington Lock

SPECIFICATION

Model	Part No	9S6-3BB31H-027
	Color	ID1/Black-Black
Display	Screen Size	23.6" (59.94 cm)
	Active Display Area (mm)	521.3952(H)x293.2848(V)
	Curvature	Curve 1500R
	Panel Type	VA
	Resolution	1920x1080 (FHD)
	Pixel pitch (mm)	0.27156(H)x0.27156(V)
	Aspect Ratio	16:9
	Dynamic Refresh Rate technology	Adaptive-Sync
	Dynamic Refresh Rate Activated Range	48~180Hz
	HDR (High dynamic range)	HDR Ready
	SDR Brightness (nits)	250
	Contrast Ratio	3000:1
	DCR (Dynamic Contrast Ratio)	10000000:1
	Signal Frequency	55.3~200 KHz(H) /48~180 Hz(V)
	Refresh Rate	180Hz
	Response Time (MPRT)	1ms(MPRT)
	Response Time (GTG)	4ms
	View Angles	178°(H)/178°(V)
	NTSC (CIE1976 area percentage/overlap)	92%/81%
	NTSC (CIE1931 area percentage/overlap)	77%/74%
	sRGB (CIE1976 area percentage/overlap)	105%/98%
	sRGB (CIE1931 area percentage/overlap)	109%/99%
	Adobe RGB (CIE1976 area percentage/overlap)	90%/87%
	Adobe RGB (CIE1931 area percentage/overlap)	81%/79%
	DCI-P3 (CIE1976 area percentage/overlap)	84%/84%
	DCI-P3 (CIE1931 area percentage/overlap)	80%/80%
	Rec.709 (CIE1976 area percentage/overlap)	105%/98%
	Rec.709 (CIE1931 area percentage/overlap)	109%/99%
	Rec.2020 (CIE1976 area percentage/overlap)	61%/61%
	Rec.2020 (CIE1931 area percentage/overlap)	58%/58%
	Surface Treatment	Anti-glare
	Display Colors	1.07B
Color bit	10 bits (8 bits + FRC)	
I/O Ports	Headphone-out	1
	Card reader	N/A
	Lock type	Kensington Lock
	HDMI	1
	HDMI version	2.0b
	HDMI HDCP version	2.3
	DisplayPort	1
	DisplayPort version	1.2a
	DisplayPort HDCP version	2.3
Warranty	Warranty	36M
Power	Power Type	External Adaptor 12V 2.5A
	Power Input	100~240V, 50/60Hz
	On-mode Power Consumption (KWh/1000h)	17
	Annual Energy Consumption (KWh)	17
	Standby-mode Power Consumption (W)	0.5
	Off-mode Power Consumption (W)	0.3
	Energy Efficiency Rating	E
Power Cord Type	C13	

In The Box	DisplayPort Cable	0
	HDMI Cable	1
	DVI Cable	0
	USB Type A to Type B Cable	0
	USB Type C to Type A Cable	0
	USB Type C to Type C Cable	0
	Thunderbolt Cable	0
	VGA Cable	0
	3.5mm audio Cable	0
	3.5mm combo audio Cable	0
	3.5mm Mic Cable	0
	Power Cord	1
	AC Adaptor	1
	Quick Guide	1
	Warranty Card	0
Mouse Bungee Unit	0	
Design	Adjustment (Tilt)	-5° ~ 20°
	VESA Mounting	100x100mm
Dimension & Weight (product)	Product Dimension with Stand (WxDxH) (mm)	537.44 x 220.01 x 396.55
	Product Dimension without Stand (WxDxH) (mm)	537.44 x 86.07 x 319.74
	Stand Dimension (WxDxH) (mm)	318.04 x 220.01 x 142.52
	Weight (Net kg)	2.9
	Weight Without Stand (kg)	2.5
Dimension & Weight (box)	Inside Carton Dimension (WxDxH) (cm)	N/A
	Outer Carton Dimension (WxDxH) (cm)	N/A
	Weight (Gross kg)	4.6
Barcode Info	EAN	4711377259156